

VISION

1



2D





Sill Light

VS1 1447

PRODUCT SPECIFICATION

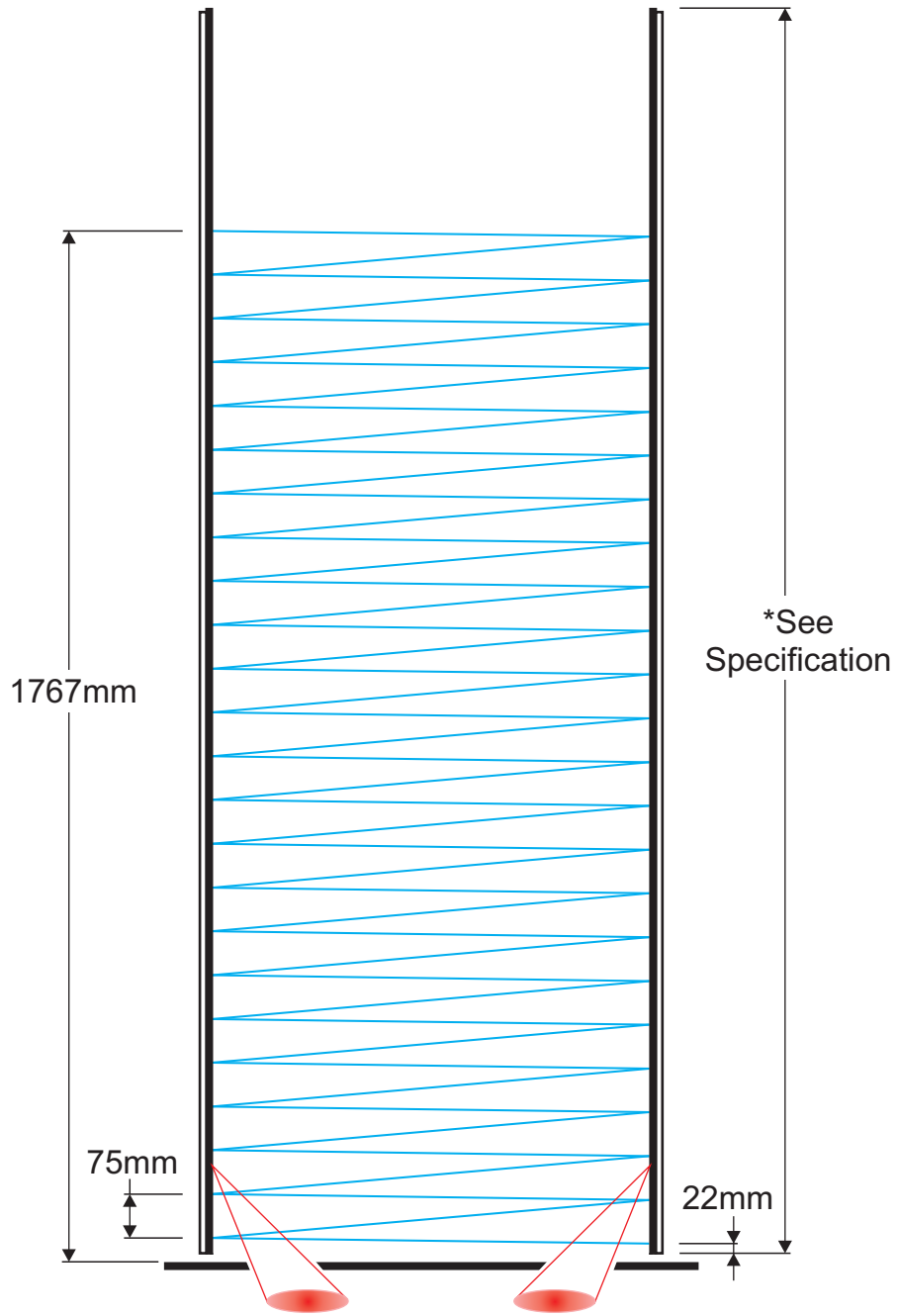


CODE: VS1 1447 *XX

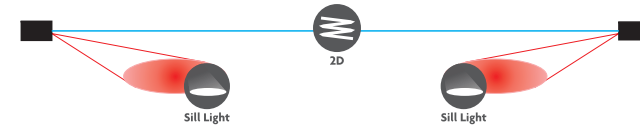
Item	Detail	Comments
 2D	Generic offset beam technology	See Patents: EP1212506 GB2254916
Number of Beams	47 non-focused beams	See product outline
Number of LEDs	24	See product outline
LED Spacing	75mm	See product outline
 Sill Light	Trip hazard illuminator	Switch Selectable. Patent applied for.
Response Time	100 ms (nominal)	Relates to point of detection in scan cycle
Range of Detection	0 – 1800 mm	Dynamic installation only
Light Immunity	>100,000 lux	
Angular Displacement	10°	
Alignment Tolerance	>10 mm vertical >10 mm horizontal	
Power Failure Mode	Door signals defaults to open status	Cable disconnect or break
Operating Voltage	24 volts (nominal) DC	18 volts min, 30 volts max DC
Current Consumption	130 mA Max RMS 90 mA Power save mode	Total both units
Environmental Protection	IP54	Conformal coated electronic components
Operating Temperature Range	-20°C to +70°C	
Storage Temperature Range	-40° to +80°C	
Unit Size	20mm x 30mm x *XX Height	*XX 01 = 2.02m 02 = 2.13mm
Cable Supplied	2 x 4m & 1 x 2m extension	
Case Material	Aluminium Alloy	Extrusion, Black Anodised
Cover (filter)	Infra-red transparent plastic	Extruded PVC
Installation Kit	Instructions Door Mount Brackets Qty 10 Slam Mount Bracket Qty 1 Cable Clips Qty 10 Door Cable Retainer Qty 2 Drill Bit 3.6mm Qty 1	Installation kit is inclusive of screws fastners etc.
Packaging	Tube 100mm diameter	
System Markings	cULus, CE	EN12015, EN12016, EN81-70



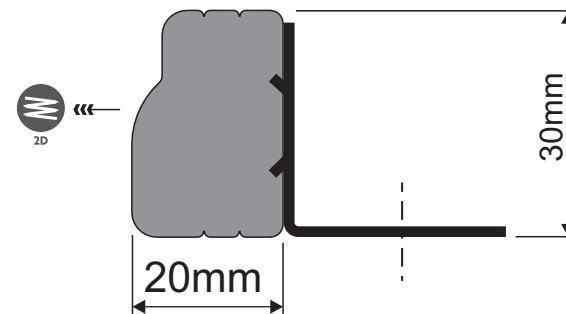
ENTRANCE VIEW



PLAN VIEW



Door Mount Configuration



Slam Mount Configuration

