

# US95-AB Black Pushbutton

The US95-AB Pushbutton is manufactured with antimicrobial protection to help prevent the unwanted growth of harmful bacteria. Bacteria can multiply on lift pushbuttons every twenty minutes. This technology makes the product surface hostile to microscopic organisms, making them unable to grow and reproduce.

The pushbutton is made up of four elements: switch body, illumination, pressel, and surround. This data sheet includes detailed information on each element and the options available for the US95-AB pushbutton.

Image shows US95-AB pushbutton with Compact 3 body, white antimicrobial plastic pressel and black plastic surround. Legend and halo illuminated in blue.



## Switch body

The switch body is the functional part of the pushbutton. The US95-AB is available with Compact 3, Compact 3P and Compact 2 Micro switch bodies.

## Pressel

The pressel is the faceplate of the pushbutton. The US95-AB Black pressel is made out of plastic which uses silver ion antimicrobial technology. Green and yellow material finishes are available for exit floor and alarm buttons. They are moulded with opal polycarbonate.

There is an extensive range of pressel legends to choose from. All legends are 15mm high and tactile, with standard English braille dots below.

## Illumination

The legend and the halo (light created between the pressel and the surround) can be illuminated in a wide variety of colours. Single, dual, bicolour and bicolour+ LED illumination options are available. They are easily replaceable and available in blue, white, red, amber and green.

## Surround

The surround is the element of the pushbutton which sits in front of the pressel and clicks into the switch body.

US95-AB pushbutton surrounds are made out of black plastic with the same silver ion antimicrobial technology as the pressel.

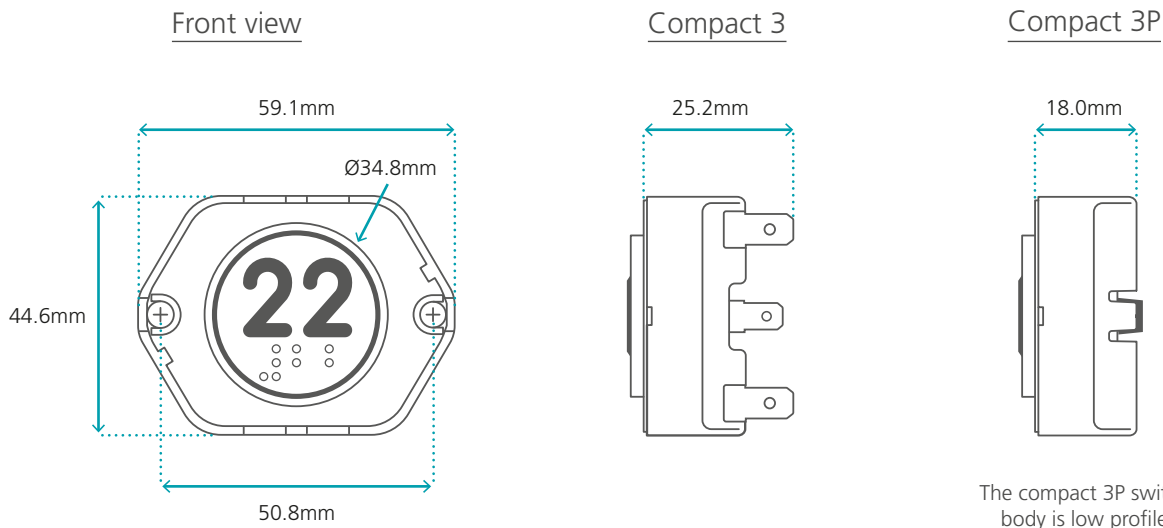
## Key features

- Protection against bacteria such as E-Coli, Staph A, MRSA, and more.
- Pressel and surround uses silver ion antimicrobial technology.
- Legend and halo illumination.
- Vandal resistant - meets EN81-71.
- ISO 22196 antibacterial certification.
- Standard pressels are black plastic moulded with opal polycarbonate.
- Meets all requirements of the visually impaired with standard English braille.

# Switch body | Compact 3 & Compact 3P

The switch body is the functional part of the pushbutton. Both the Compact 3 and 3P switch bodies offer the full range of illumination options as well as all possible contact configurations.

## Dimensions



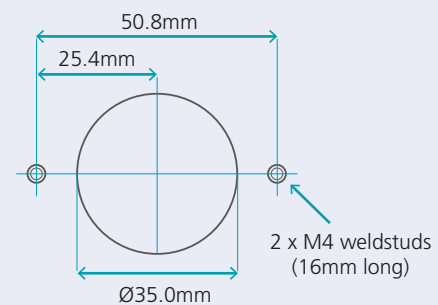
The compact 3P switch body is low profile

## Technical details

<b>Power (continuous)</b>	2.5 watts (maximum)
<b>Contact arrangements</b>	2 Normally Open contacts
	2 Normally Closed contacts
	1 Normally Open contact and 1 Normally Closed contact

<b>Environmental protection (IP rating)</b>	EN60529 (IP54)
<b>Vandal resistance</b>	EN81-71
<b>Code compliance</b>	EN81-20, EN81-70

## Cutouts & stud positions



Pushbuttons with Compact 3 and Compact 3P switch bodies can be supplied loose or incorporated into stations. These have a vertical pitch of 50mm and a horizontal pitch of 60mm (Compact 3), or 80mm (Compact 3P), which means the switch body can be rotated 90 degrees.

If the pushbutton is supplied loose, spacers will be provided to accommodate the differing faceplate thickness.

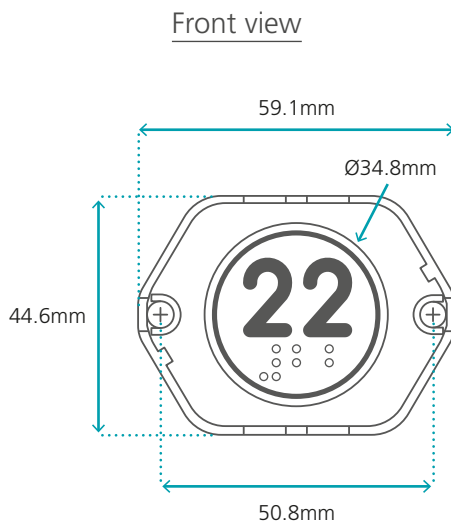
Dewhurst Compact 3 & Compact 3P switch bodies are designed and tested to last

over **10 million operations.**

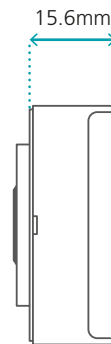
# Switch body | Compact 2 Micro

The switch body is the functional part of the pushbutton. The Compact 2 Micro switch body is available with one NO contact configuration. It also offers single, dual and bicolour illumination options.

## Dimensions



## Compact 2 Micro



The compact 2 Micro switch body is low profile.

## Technical details

<b>Power (continuous)</b>	2.5 watts (maximum)
<b>Contact arrangement</b>	1 Normally Open contact

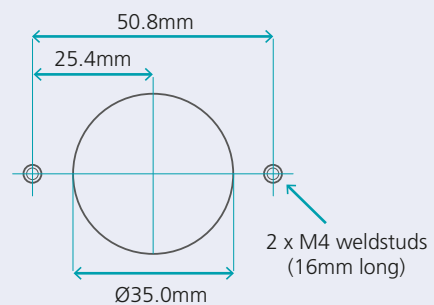
<b>Environmental protection (IP rating)</b>	EN60529 (IP54)
<b>Vandal resistance</b>	EN81-71
<b>Code compliance</b>	EN81-20, EN81-70

Dewhurst **Compact 2 Micro** switch bodies are designed and tested to last



over **1 million operations.**

## Cutouts & stud positions



Pushbuttons with Compact 2 Micro switch body can be supplied loose or incorporated into stations. These have a vertical pitch of 50mm and a horizontal pitch of 60mm, which means the switch body can be rotated 90 degrees.

If the pushbutton is supplied loose, spacers will be provided to accommodate the differing faceplate thickness.



# Illumination

There are a wide range of interchangeable and easily replaceable LED illumination options available for Dewhurst pushbuttons. All options illuminate both the legend (character or symbol) and the halo (light created between the pressel and the surround).



The US95-AB offers a choice of single, dual, bicolour and bicolour+ illumination, all of which are available with Compact 3 and Compact 3P switch bodies. The Compact 2 Micro switch body comes with single, dual or bicolour illumination.

LED colours are available in blue, white, red, amber and green.



## Single illumination

Before call acceptance	After call acceptance
 <p>Both the legend and the halo are non-illuminated</p>	 <p>The legend and halo are both illuminated at full brightness of any colour</p>

## Dual illumination



Before call acceptance	After call acceptance
 <p>Both the legend and the halo are illuminated at 10% of full brightness of any colour</p>	 <p>The legend and halo are both illuminated at full brightness of the same colour</p>

## Bicolour illumination

Before call acceptance	After call acceptance
 <p>Both the legend and the halo are illuminated white at 10% of full brightness</p>	 <p>The legend and halo are both illuminated at full brightness of any colour</p>

Note: the initial white illumination before call acceptance is still visible after call acceptance. This may result in the chosen colour being slightly lighter than full brightness of other illumination options.

## Bicolour+ illumination

Before call acceptance	After call acceptance
 <p>Both the legend and the halo are illuminated at full brightness of any initial colour</p>	 <p>The legend and halo are both illuminated at full brightness of a different colour</p>

Note: Bicolour+ illumination isn't available with the Compact 2 Micro switch body.

## Technical details

LED current	20mA (typically)
LED voltage (±15%)	12V DC, 24V DC, 110V AC

# Pressel

The pressel (the faceplate of the pushbutton) is manufactured using silver ion antimicrobial technology to help prevent the unwanted growth of harmful bacteria. The antibacterial protection is designed to last the lifetime of the product and will not wash out or wear away.

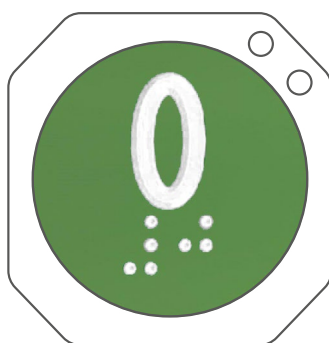
The US95-AB pressel offers an extensive range of pressel legends to choose from. All legends are 15mm high and tactile, with standard English braille dots below.

## Material finishes

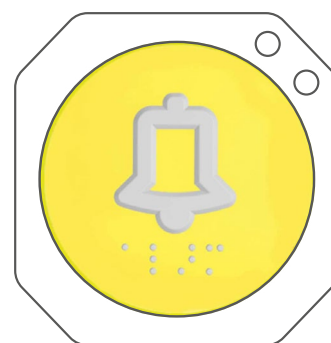
Black plastic with antimicrobial protection



Green plastic with antimicrobial protection



Yellow plastic with antimicrobial protection

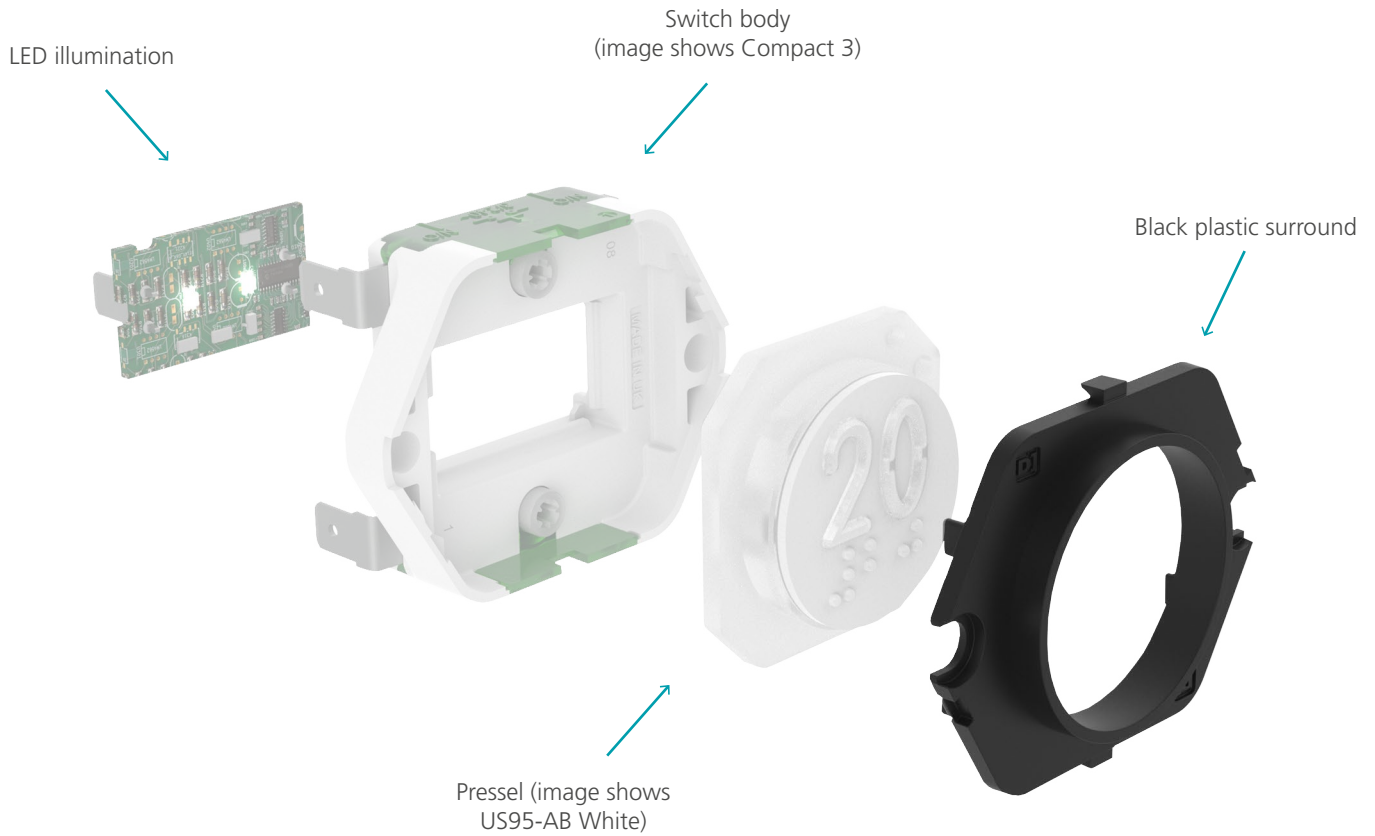


Standard US95-AB pressels are moulded with opal polycarbonate, but other colours are available on request.

# Surround

The surround is the element of the pushbutton which sits in front of the pressel and clicks into the switch body. US95-AB surrounds are made out of black plastic with the same silver ion antimicrobial technology as the pressel.

## Material finish



## Surround depths

All measurements are the protrusion through the faceplate.

Standard	B44	Exit	Long neck
<p>(a) <math>\updownarrow</math></p>	<p>(b) <math>\updownarrow</math></p>	<p>(c) <math>\updownarrow</math></p>	<p>(d) <math>\updownarrow</math></p>
(a) 3mm	(b) 4.6mm	(c) 7.1mm	(d) 12mm, 14mm OR 22mm

# Cleaning your Dewhurst pushbutton

Many Dewhurst lift products are made of polycarbonate (Using GE's Lexan® or Bayer's Makrolon®). The US95-AB is highly durable and vandal resistant, but plastic parts can be damaged by aggressive cleaning agents.

## Recommended guidance



Clean with a **cotton cloth** and **warm water** before applying the cleaning product.



Use **PH-neutral** or slightly acid cleaning products only (including aromatised ones).



**Ethylic alcohol, isopropyl alcohol or ethylene glycol** based multipurpose cleaning products and dish soaps are suggested. Dilute the cleaning product in warm water and apply using a wet cotton cloth.



Grease, glue and paint may be removed with **ethylic alcohol or isopropyl alcohol**.

## DO NOT USE

- ✗ Abrasive cleaning agents
- ✗ Cleaning agents at high temperatures
- ✗ Antibacterial detergent
- ✗ Sharp tools to remove dirt (chewing gum, glue, etc.)
- ✗ Solvents based with Ketones, benzene, methanol, toluene (methylbenzene or phenyl methane)
- ✗ Alkaline and ammonia based cleaning agents or ones containing citrus

**DO NOT** leave cleaning agents on the parts for long periods of time: remove immediately after cleaning using a damp cotton cloth.