

Pushbutton

Type US92 Compact 2 Micro

Publication Number PB188/0608

Application

Dewhurst illuminated pushbuttons ensure a bright wide angle view in all lighting conditions. Compact 2 Micro is ideal for use in all types of lifts and similar installations including those which may be exposed to heavy duty or vandalism.

Operation

Operation of the pressel activates a patented switch technology called PushGate™, a revolutionary magnet switch, having no parts that can fatigue. Illumination of the LED illuminator lights the whole pressel assembly. Standard illumination is by 12V or 24V LED illumination. Single and dual illumination options are available - Single = full brightness, Dual = dim brightness and full brightness.

Installation

The pushbutton is securely held to the back of the faceplate by 2 off M4 x 16LG weldstuds, washers and nuts.

Compact 2 Micro Pushbuttons can be supplied loose, or incorporated into stations with 1.5mm or 2.5mm stainless steel faceplates, with a vertical pitch of 50mm** or 57mm** and horizontal pitch of 60mm. If pushbuttons are supplied loose, spacers are provided to accommodate the differing faceplate thickness.

**Dependant on connector orientation.

Technical details

Weight	60grms
Moulded in	high grade polycarbonate
Environmental protection	IP54 (frontal presentation)
Pressel	high grade polycarbonate
LED Current	20mA (typically)
LED Colours	Single & dual - red, green, blue, white, yellow. Bi-colour - white/blue & white/red
LED Voltage	12/24V a.c./d.c. ±15%
Various connector options available (AMP-HE14 & MTA100, JST-XH, Camden Screw)	

Standards and Codes

Designed to meet the requirements of BS CECC 96400:Pushbutton switches where relevant EN81-1/2.

Rating

30V d.c. at 50mA max. resistive loads - min. no. of operations : 5 x 10⁶

24V d.c. at 20mA max. resistive loads - min. no. of operations : 5 x 10⁶

12V d.c. at 5mA max. resistive loads - min. no. of operations : 5 x 10⁶

Power 2.5 watts (max.)

Contact arrangements 1 N/O***

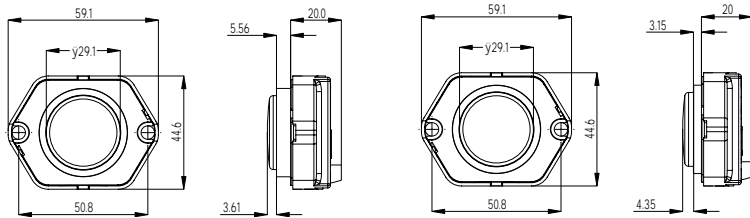
***For other contact arrangements or higher ratings, use either a Compact 2 Pushbutton or a Compact 2 Micro Relay Board (e.g. Alarm, Door Open, Door Closed, etc.). Please refer to PB111/PB137 for Compact 2 and PB140 for the Relay Board.

PushGate™ technology is a patented design of **DURASWITCH**

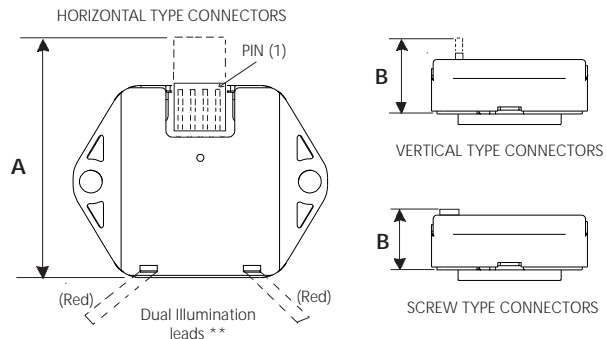
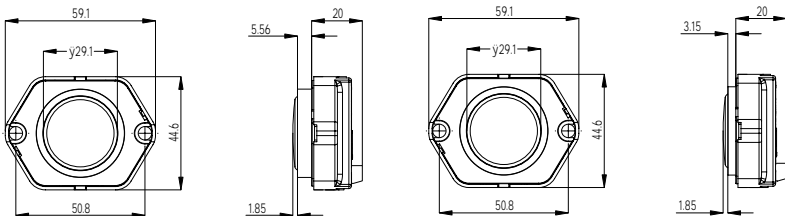
Patent Nos: US PAT nos. 5,523,730; 5,666,096; 5,867,082; 5,990,772; 6,130,593; 6,069,545; 6,023,213; 6,069,552; 6,137,387; 6,262,646 Chinese PAT no. ZL96110385.X
Taiwanese PAT No. NIO90979 Australian PAT No. 727962 UK Patent Pending.

Dewhurst plc t +44 (0)20 8607 7300 f +44 (0)20 8572 5986 info@dewhurst.co.uk www.dewhurst.co.uk
Contact your local sales office:

Australia	D Australian lift components	t 02 9603 0200	f 02 9603 2700	info@alc.au.com	www.alc.au.com
	D lift material	t 02 9310 4288	f 02 9698 4990	info@liftmaterial.com	www.liftmaterial.com
Canada	D dupar controls	t 519 624 2510	f 519 624 2524	info@dupar.com	www.dupar.com
UK	D LiftStore	t 020 8538 1770	f 020 8538 1771	info@liftstore.com	www.liftstore.com
USA	D the fixture company	t 847 214 3100	f 847 214 2771	info@thefixtureco.com	www.thefixtureco.com



All dimensions in mm



CIRCUIT TYPE			
<p>TYPE I</p> <p>XH (3 WAY) [SCHINDLER] OR SCREW (3 WAY)</p>	<p>TYPE II</p> <p>XH (4 WAY) OR SCREW (4 WAY) OR MTA100 (4 WAY) [THYSSEN]</p>	<p>TYPE III</p> <p>HE14 (4 WAY) [OTIS]</p>	<p>DUAL ILLUMINATION **</p> <p>For dual illumination, connect the two red leads from the body to a permanent power supply. Voltage same as full illumination (not polarity sensitive).</p>

CONNECTOR OPTIONS (ON BUTTON PCB)						CIRCUIT TYPE	DIMENSIONS		RECOMMENDED FEMALE CONNECTOR*	
TYPE	ORIENTATION <small>Landing buttons have horizontal connectors All other buttons have vertical connectors</small>	NO. OF PINS	VENDOR PART N°	DEWHURST CODE	VENDOR		A	B	VENDOR PART N°	VENDOR
XH	HORIZONTAL (90°)	3 WAY	S 3B-XH-A	JST3	JST	I	53	-	NR(0*NR-E6S) or HR(0*HR-65) or NRB(0*NR-D6S) * Insert 3 for 3-way or 4 for 4-way	JST
		4 WAY	S 4B-XH-A	JST4			II	53		
	VERTICAL (0°)	3 WAY	B 3B-XH-A	JST3		I	-	23		
		4 WAY	B 4B-XH-A	JST4		II	-	23		
HE14	HORIZONTAL	4 WAY	0281695-4	AMP4	AMP	III	55	-	0281786-4(180°) or 0281711-4(90°) 640442-4(END) or 640622-4 (THROUGH)	AMP
	VERTICAL	4 WAY	0281698-4	AMP4		III	-	32		
MTA100	HORIZONTAL	4 WAY	640457-4	MTA4		II	54	-		
	VERTICAL	4 WAY	640456-4	MTA4		II	-	30		
SCREW	HORIZONTAL	4 WAY	CBT0305/4	SCR4	CAMDEN	II	-	18	N/A	N/A
		3 WAY	CBT0305/3	SCR3		I	-	18		

*Other connector part numbers are available for different arrangements and cable sizes.

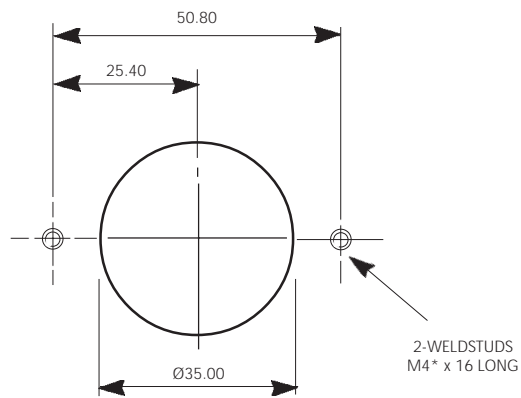
PART NUMBER ORDERING

Example
US92C2M - SS / SCR4-R-24L =

STYLE = US92
FINISH = Stainless Steel finish
PCB = SCR4 connector 24V LED's Red Single illumination

PRESSEL		
STYLE		FINISH
C2M	-	
94	= US92 Pushbutton	SS = Stainless Steel

PCB			
CONNECTOR TYPE	LEGEND COLOUR		INDICATION
-	-	-	-
SCR4	R = Red		24L = 24V LED
SCR3	G = Green		12L = 12V LED
JST4	B = Blue		24D = 24V Dual
JST3	W = white		12D = 12V Dual
AMP4	Y = Yellow		24I = 24V Bi-colour
MTA4	W/B = White/Blue		- (only avble screw)
	W/R = White/Red		



**US92 Compact 2 Micro
Cutout & Stud Positions**

Dewhurst plc t +44 (0)20 8607 7300 f +44 (0)20 8572 5986 info@dewhurst.co.uk www.dewhurst.co.uk
Contact your local sales office:

Australia	D Australian lift components	t 02 9603 0200	f 02 9603 2700	info@alc.au.com	www.alc.au.com
	D lift material	t 02 9310 4288	f 02 9698 4990	info@liftmaterial.com	www.liftmaterial.com
Canada	D dupar controls	t 519 624 2510	f 519 624 2524	info@dupar.com	www.dupar.com
UK	D LiftStore	t 020 8538 1770	f 020 8538 1771	info@liftstore.com	www.liftstore.com
USA	D the fixture company	t 847 214 3100	f 847 214 2771	info@thefixtureco.com	www.thefixtureco.com