

# Control Circuit Limit Switch

Type VC50

Publication Number: LS011/1211

## Application

This rugged, competitively priced VC50 switch is used with a suitable operating ramp to limit the travels of electric lifts and ship hoists. It is supplied with one normally open and one normally closed contact.

## Operation

The switch is operated by the application of at least 0.57 kg pressure against the roller through a distance of approximately 18mm. Allowance is made for 18mm follow through.

## Installation

The switch may be mounted upright, inverted or sideways as illustrated, to permit the actuating rollers of two adjacent VC50 Limit Switches to be closer together.

The switch case has two long slotted fixing points on each side, which allow for adjustment.

The roller arm is designed in such a way that the unit is automatically left or right handed. M20 threaded conduit entry holes are located in each side of the VC50. Please refer to the drawing overleaf for full dimensional details.

## Construction

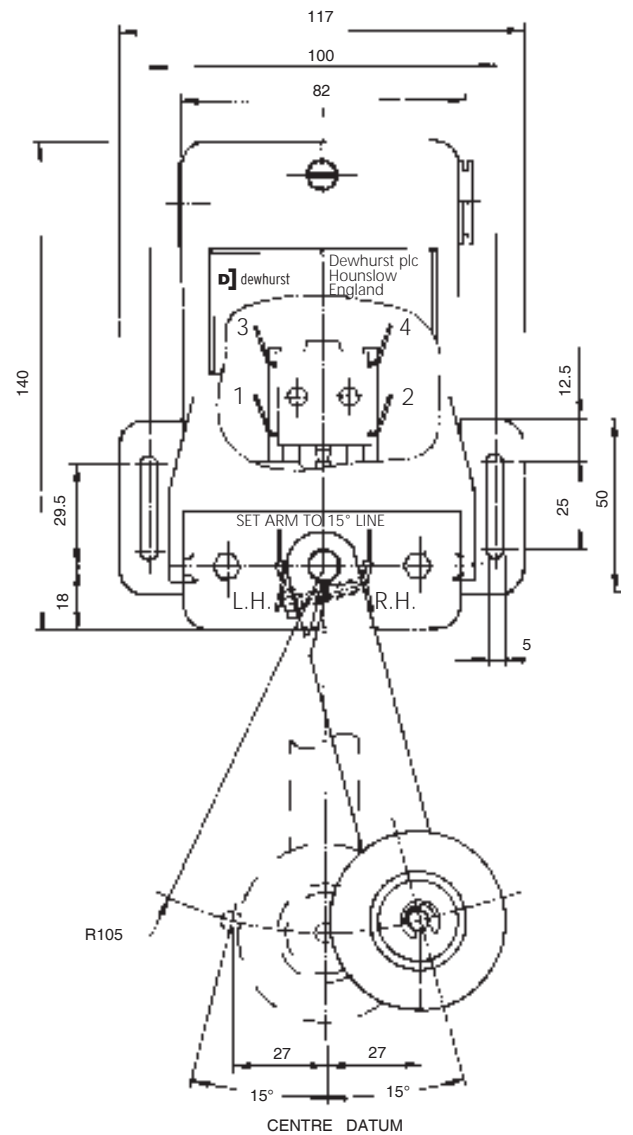
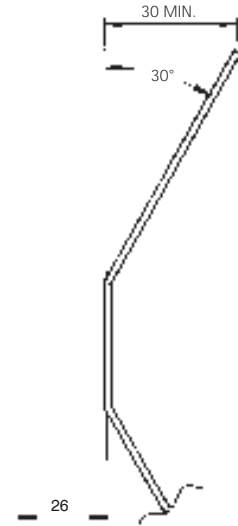
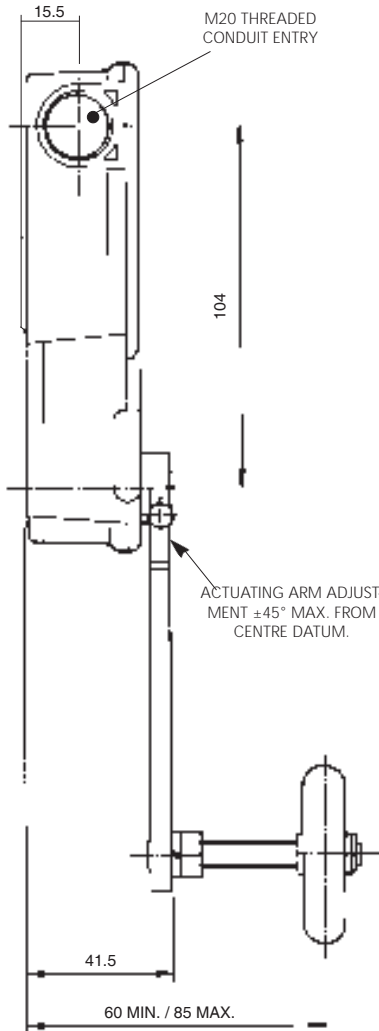
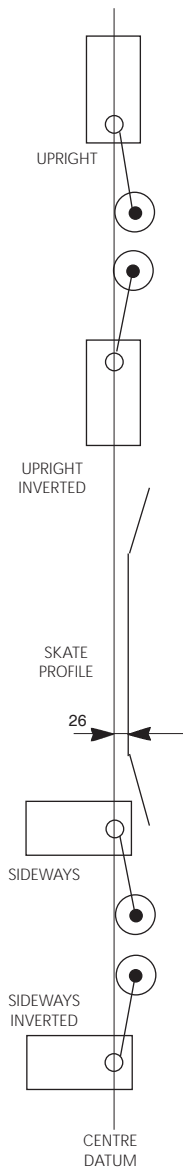
The switch is housed in a grey polycarbonate housing, with a clear polycarbonate hinged cover which allows easy inspection of the contacts. The lever arm is mild steel and the moulded roller is mounted on a bush for quiet operation.

## Contacts

Contacts are silver plated with 250 series push-on connectors.

Contact Rating: 3A @ 230-240V a.c., 0.5A @ 230-240V d.c.  
Weight: 400g

LIMIT SWITCH MOUNTING OPTIONS



■ = CONTACTS CLOSED

■ = NIC CONTACT  
□ = N/O CONTACT

15° 15°  
SET ROLLER 15° (27MM) FROM VERTICAL, EITHER HAND AS SHOWN

# VC50 CONTROL CIRCUIT LIMIT SWITCH

All dimensions in mm  
DO NOT SCALE