

Car Gate Switch

Type CGS

Publication Number: LS004/1211

Application

CGS is for incorporation in the interlocking circuits of collapsible gates or sliding doors of lift cars.

Operation

Closing the gate or door moves the rocking lever of the switch to quickly complete the interlocking circuit. The circuit is broken when the gate is opened.

Operation is in full accordance with the relevant provisions of EN81:Part 1 : 1998.

Installation

The striker is installed on the top leading edge (shaft side) of the gate and the switch unit with rocking lever is affixed to the car achitrave or lintel so that it is operated by the striker arm when opening or closing.

Construction

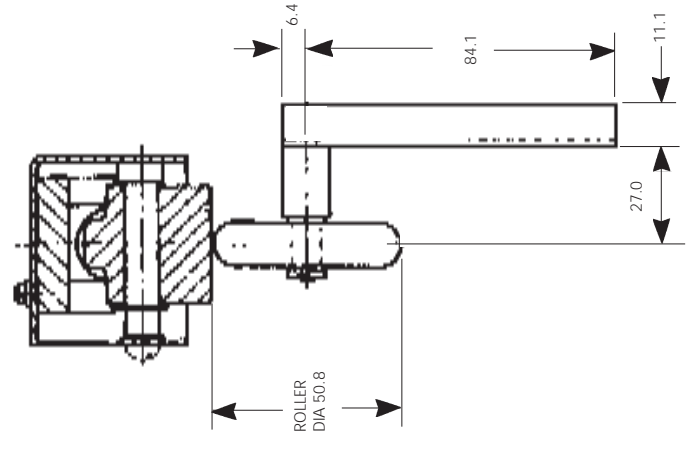
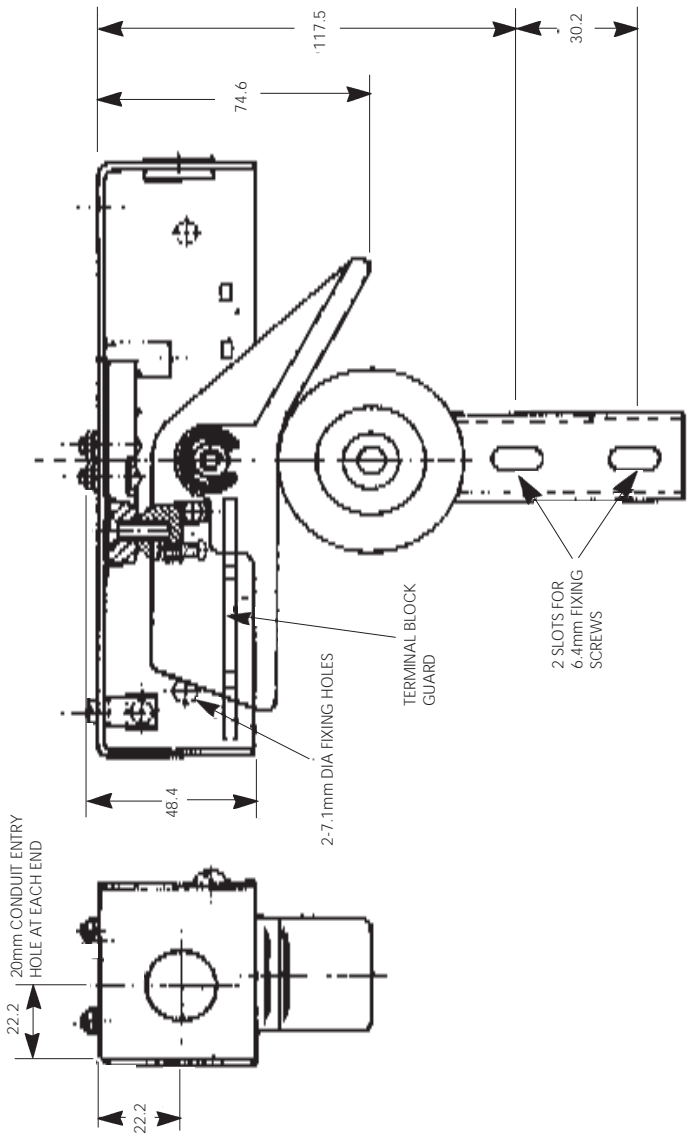
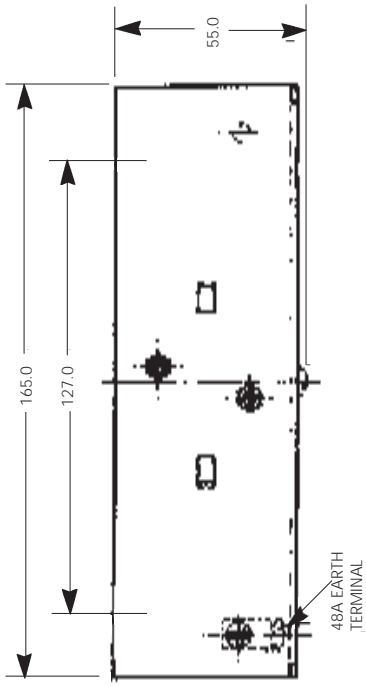
A robust, sheet-steel enclosure with a clear polycarbonate guard, houses the contact mechanism. See over for other construction details.

Switch Rating

2A @ 240V with positive safety action and self cleaning contacts.

Weight

0.7kg approximately.



All dimensions in mm

TYPE CGS CAR GATE SWITCH & STRIKER