

Formula Systems Infra-red Saftey Edges

Types FZU 1047 Type A (002045-030100) Safezone 3D Curtain of Light

FZU 1047 Type B (002045-031100) Safezone 3D Curtain of Light

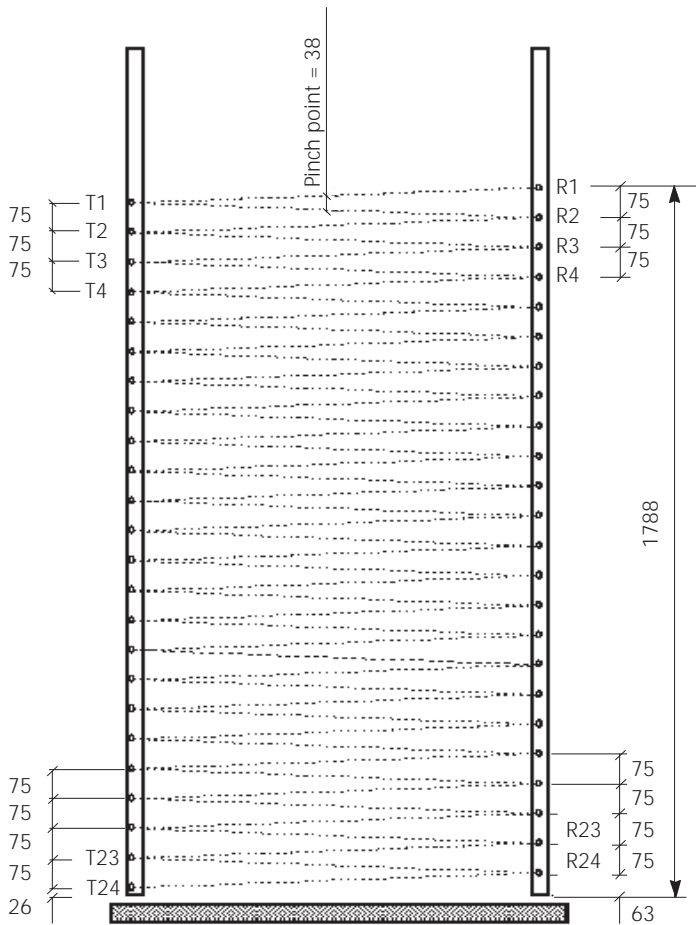
Publication Number: DO021/0212



Item	Detail	Additional Comments
'2D' FEATURES:		
Number of Beams	47 non-focused beams	Infra-red
Number of Sensors	24	See Beam Pattern (Fig. 1)
Sensor Spacing	75mm	See Beam Pattern (Fig. 1)
Scan Type	Interleaved	
'3D' FEATURES:		
Protection Field Direction	40° from door axis	
Sensitivity	Typically 125mm for a hand 400mm for a body	
Number of Sensors	17	
Sensor Spacing	112mm	Nominal
Scan Type	Retro-reflective	Infra-red
COMMON FEATURES:		
Response Time	10 to 100 milliseconds	Relates to point of detection in scan cycle
Operating Range	1800mm door opening (max)	
Light Immunity	>100,000 lux	Visible light
Angular Displacement	10°	
Positional Mounting Tolerance	+/-5mm vertically +/-2mm side by side	Doors closed, units touching
Operating Voltage	24 volts	16 volts min 30 volts max
Current Consumption	<100 mA RMS	Total of both units
Control Unit	Not required	Optional Interface (FPS 0270, FPS 0271)
Operating Temperature Range	0°C to +70°C	
Storage Temperature Range	-40°C to +80°C	
Unit Size	36mm x 15mm x 2136mm - Type A 36mm x 15mm x 2000mm - Type B	
Mounting	Seven screw positions - Type A Six screw positions - Type B	See Mounting Detail (Fig. 2)
Indicators	Supply present: System fault/beams obstructed:	Green LED Red LED
Cable Supplied	Two X 4m approx of 4 core cable	Connects to product via short fixed lead
Case Material	Aluminium alloy	Finished Black
Cover (filter)	Infra-red transparent plastic	Snap-on fixing
SYSTEMS APPROVALS:	UL, cUL	

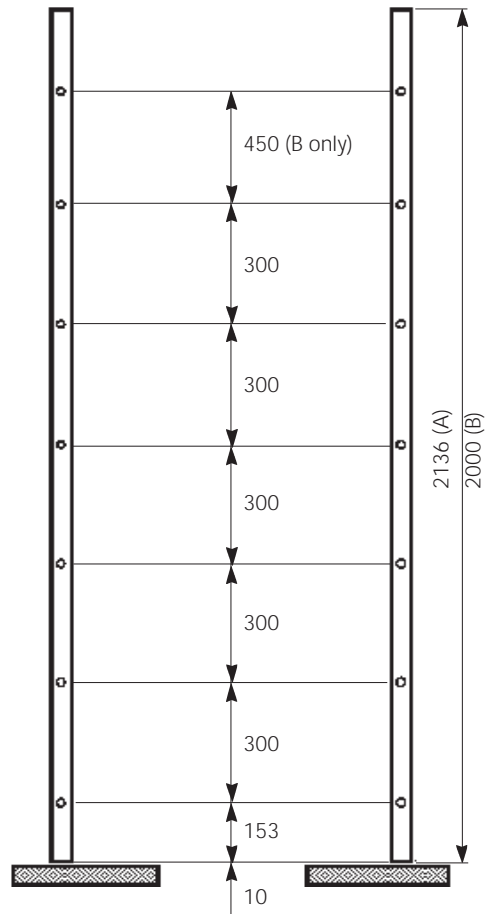
FZU 1047 Series

(Nominal dimensions shown in mm)



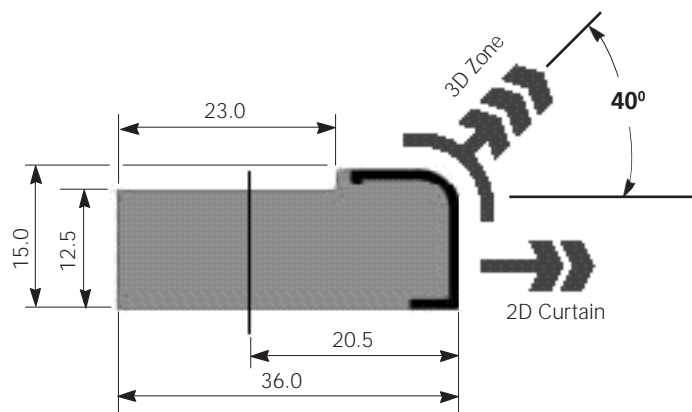
BEAM PATTERN

Fig. 1



MOUNTING HOLE POSITIONS

Fig. 2



SECTION MOUNTING DETAIL

EMC Note

These components are designed to comply with EN81 parts 1 and 2 for incorporation in a lift application. They meet the requirements of the EMC Regulations (EN12015 and EN12016). The installer must ensure that the inductive load connected to the relay contacts meets EMC requirements.