

Formula Systems Infra-red Safety Edges

Types FCU 0735 & FCU 0735-EN* Slimscreen Curtain of Light

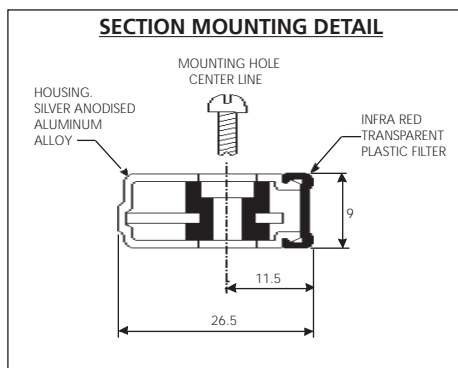
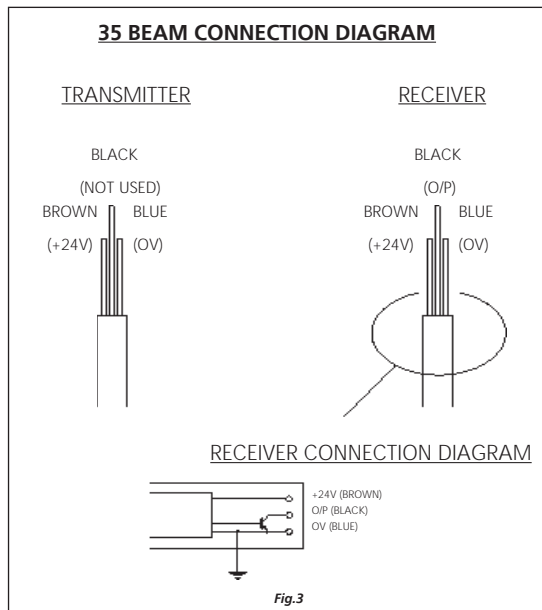
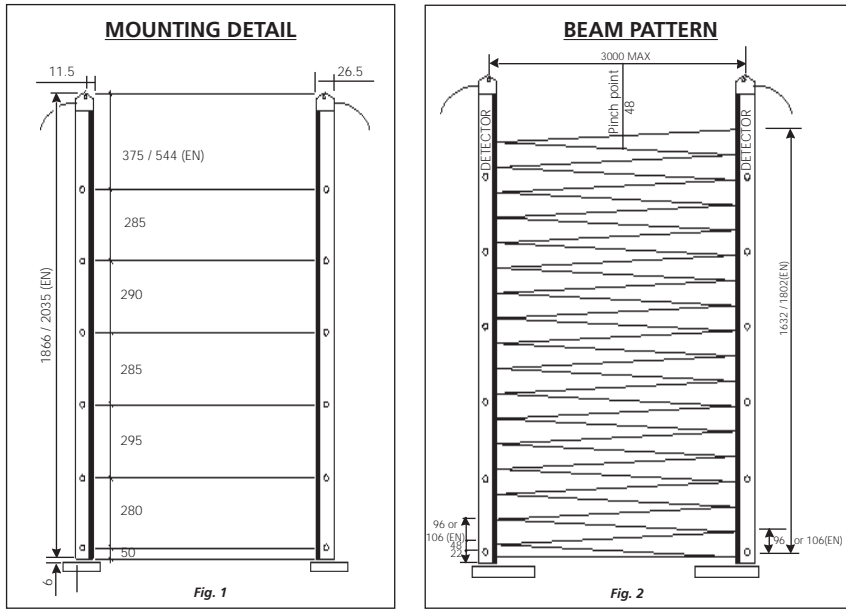


Publication Number: DO019/0212

Item	FCU 0735 (002045-050100)		FCU 0735-EN* (002045-053100)	
	Detail	Additional comments	Detail	Additional comments
Number of Beams	35 non-focused beams	Infra-red	35 non-focused beams	Infra-red
Number of Sensors	18	See beam pattern (Fig .2)	18	See beam pattern (Fig .2)
Sensor Spacing	96mm	See beam pattern (Fig. 2)	106 mm	See beam pattern (Fig. 2)
Distance between beams at pinch point (doors closed)	48mm	See beam pattern (Fig.2)	48mm	See beam pattern (Fig.2)
Unit Size	9mm (w) x 26.5mm (d) x 1866mm (h)		9mm (w) x 26.5mm (d) x 2035mm (h)	
Scan Type	Interleaved		Interleaved	
Response Time	48 to 96 milliseconds	Relates to point of detection in scan cycle	48 to 96 milliseconds	Relates to point of detection in scan cycle
Range of Detection	1500mm Door mounted 3000mm Track end mounted	Switch selected	1500mm Door mounted 3000mm Track end mounted	Switch selected
Light Immunity	>100,000 lux	Visible light	>100,000 lux	Visible light
Angular Displacement	10° (inclusive)		10° (inclusive)	
Positional Mounting Tolerance (doors closed, units touching)	+/- 10mm vertically +/- 4mm side by side		+/- 10mm vertically +/- 4mm side by side	
Fail Safe Conditions	Faulty cable: Supply failure:	Fail safe to open circuit faults Output switch to detect state	Faulty cable: Supply failure:	Fail safe to open circuit faults Output switch to detect state
Operating Voltage	24 volts d.c.	18 volts min 30 volts max	24 volts d.c.	18 volts min 30 volts max
Current Consumption	<100 mA RMS	Total of both units	<100 mA RMS	Total of both units
Control Unit	FPS 0270 or FPS 0271 Universal Interface	Not necessary when door operator permits direct connection of edges.	FPS 0270 or FPS 0271 Universal Interface	Not necessary when door operator permits direct connection of edges.
Environmental Protection	Conformal coating to PCB's.		Conformal coating to PCB's.	
Operating Temperature Range	0°C to 70°C		0°C to 70°C	
Storage Temperature Range	-40°C to +80°C		-40°C to +80°C	
Mounting	Seven screw positions	See mounting detail (Fig. 1)	Seven screw positions	See mounting detail (Fig. 1)
Indicators	System fault/beams obstructed	Red LED	System fault/beams obstructed	Red LED
Cable Supplied	3.4m Long	Gebauer & Griller 'Polyflex' Supplied pre-wired to product (Fig. 3)	3.4m Long	Gebauer & Griller 'Polyflex' Supplied pre-wired to product (Fig. 3)
Case Material	Aluminium alloy	Silver Anodized	Aluminium alloy	Silver Anodized
Cover (filter)	Infra-red transparent plastic		Infra-red transparent plastic	
Installation Kit (supplied)	Instructions - 1 off Cable Clips - 10 off Screws M3.5 x 16mm - 26 off Nuts M3.5 - 16 off Washers M3.5 - 32 off Washer Springs M3.5 - 42 off	Pan Head Pozi Drive	Instructions - 1 off Cable Clips - 10 off Screws M3.5 x 16mm - 26 off Nuts M3.5 - 16 off Washers M3.5 - 32 off Washer Springs M3.5 - 42 off	Pan Head Pozi Drive
Packaging Tube	1920mm long x 75mm OD		2090mm long x 75mm OD	
SYSTEM MARKINGS	UL, cUL, CE (EMC)	EN12015, EN12016	UL, cUL, CE (EMC)	EN12015, EN12016

* Complies to EN81-70

FCU0735 & FCU0735-EN



EMC Note

These components are designed to comply with EN81 parts 1 and 2 for incorporation in a lift application. They meet the requirements of the EMC Regulations (EN12015 and EN12016). The installer must ensure that the inductive load connected to the relay contacts meets EMC requirements.