

# jumbo

US91 jumbo



## US91 jumbo

The US91 Jumbo pushbutton is a classic round extra large button. The button was primarily designed for use in larger buildings such as hospitals, airports and shopping centres, where the sheer scale of the building necessitates a larger button. On call acceptance the large 30mm high tactile legend illuminates brightly and you have the choice of many colour options. The US91 Jumbo has an identical appearance to the standard US91 and so the two buttons can be used on faceplates together when appropriate.

### key features

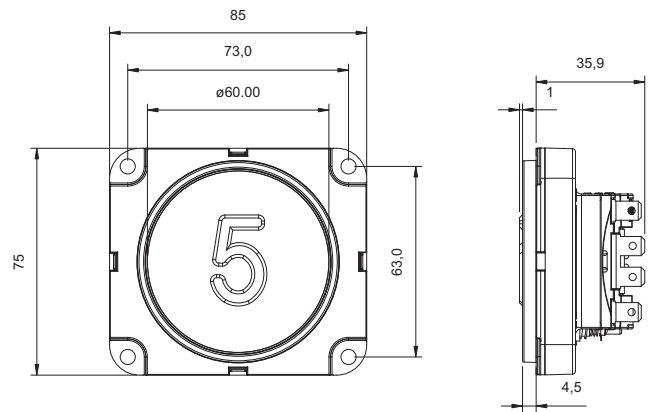
- 30mm high tactile legend
- Legend and halo illumination
- Vandal resistant with stainless steel front
- Extra large button
- Large range of pressels
- Standard pressels are a stainless steel plate moulded with red or opal polycarbonate

**Dewhurst plc**  
Inverness Road  
Hounslow  
Middlesex TW3 3LT UK

Tel: +44(0) 20 8607 7300  
Fax: +44(0) 20 8572 5986  
Email: [info@dewhurst.co.uk](mailto:info@dewhurst.co.uk)

[www.dewhurst.co.uk](http://www.dewhurst.co.uk)

# specification



This product is designed to meet the requirements of the following codes and regulations either in its standard form or through variants.

EN81-1/2	✓
BS8300	X
M2/S2	X
EN81-70	X
B44	✓
EN81-71	Category 2
AS1735.12	X
EN81-72	✓
A117.1	✓
EN81-73	✓
EN60529	IP54

## technicals

- Moulded in high grade polycarbonate
- LED current 20mA
- A detailed data sheet for this product can be found on our website
- UL/CSA approved

## benefits

- Matches standard US91 Compact 2 range
- Matching indicator
- Vandal resistant

## options

- Wide range of colours for illumination including red, white, green, yellow and blue
- Single, dual and bi-colour illumination

**For more information on our jumbo range contact us at:**

**Dewhurst plc**  
Inverness Road  
Hounslow  
Middlesex TW3 3LT UK

Tel: +44(0) 20 8607 7300  
Fax: +44(0) 20 8572 5986  
Email: [info@dewhurst.co.uk](mailto:info@dewhurst.co.uk)

[www.dewhurst.co.uk](http://www.dewhurst.co.uk)