

jumbo

US90-30 jumbo



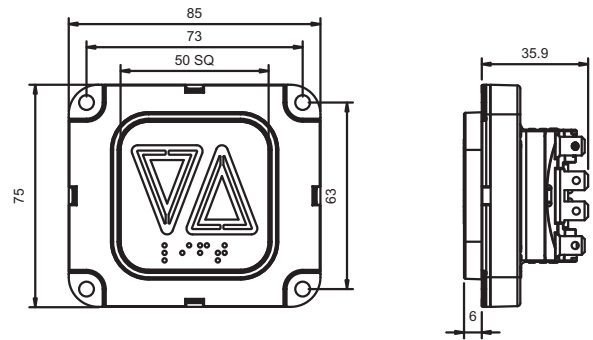
US90-30 jumbo

The US90-30 Jumbo pushbutton is a classic square extra large button which meets all the requirements of the visually impaired. As well as the 30mm high tactile legend, Standard English Braille dots are embossed onto the pushbutton. The button was primarily designed for use in larger buildings such as hospitals, airports and shopping centres, where the sheer scale of the building necessitates a larger button. On call acceptance the large 30mm high legend illuminates brightly and you have the choice of many colour options. The US90-30 Jumbo has an identical appearance to the standard US90-15 and so the two buttons can be used on faceplates together when appropriate.

key features

- 30mm high tactile legend with Braille
- Legend and halo illumination
- Vandal resistant with stainless steel front
- Extra large button
- Large range of pressel legends
- Standard pressels are a stainless steel plate moulded with red or opal polycarbonate

specification



This product is designed to meet the requirements of the following codes and regulations either in its standard form or through variants.

EN81-1/2	✓
BS8300	X
M2/S2	X
EN81-70	✓
B44	✓
EN81-71	Category 2
AS1735.12	✓
EN81-72	✓
A117.1	✓
EN81-73	✓
EN60529	IP54

technicals

- Moulded in high grade polycarbonate
- LED current 20mA
- A detailed data sheet for this product can be found on our website
- UL/CSA approved

benefits

- Matches standard US90-15 Compact 2 range
- Vandal resistant

options

- Wide range of colours for illumination including red, white, green, yellow and blue
- Single, dual and bi-colour illumination

For more information on our jumbo range contact us at:

Dewhurst plc
Inverness Road
Hounslow
Middlesex TW3 3LT UK

Tel: +44(0) 20 8607 7300
Fax: +44(0) 20 8572 5986
Email: info@dewhurst.co.uk

www.dewhurst.co.uk